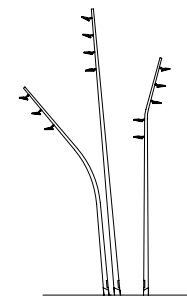


CARACTERÍSTICAS

- tapered column (taper 12.5%) made of:
 - aisi 316 satinless steel (e=4mm) sand blasted finish
 - cor-ten steel (e=5mm)
 - galvanized steel (e=4mm)
 continuous seam weld in argon atmosphere
- inspection hatch and lock with rectangular tube key.
- floodlight recommended IEP PR-22AE and SIEMENS sicompact A mini color RAL 9006, aluminium reflector, asimétric optic. Consult other options.
- F-12: 254kg / F-10: 184kg / F-9: 159kg / F-7\10: 149kg / F-7\9: 162kg

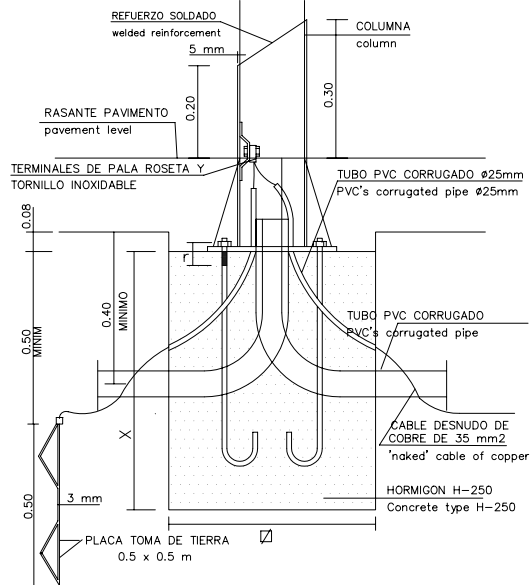
DISEÑO / DESIGN Jaume Artigues / Pere Cabrera



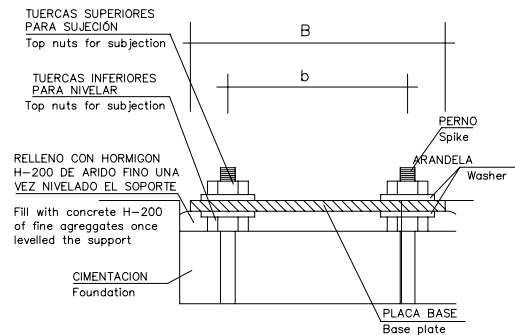
SERIE FUL®

DETALLE CIMENTACIÓN COLUMNA TIPO Y TOMA DE TIERRA

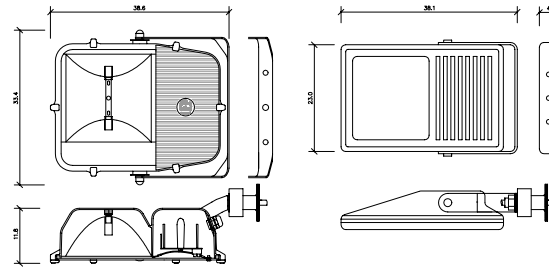
DETAIL OF COLUMN FOUNDATION AND ELECTRICAL CONNECTION



CIMENTACIÓN Y PERNOS FOUNDATION AND SPIKES

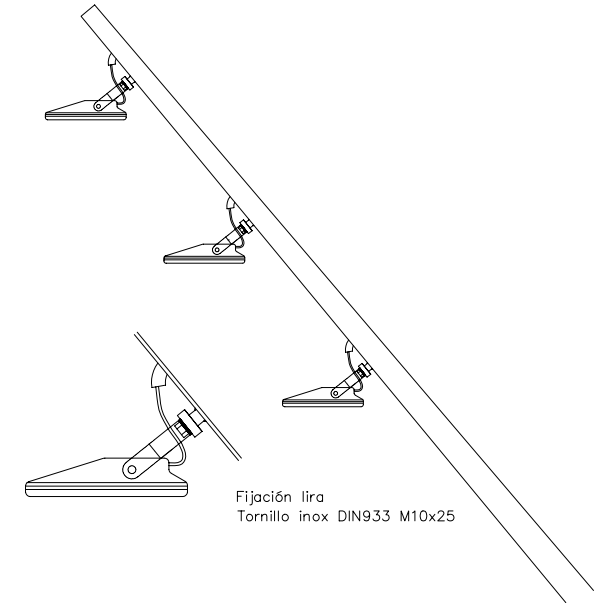


PROYECTORES FLOODLIGHTS



PROYECTOR IEP PR-22 AE

PROYECTOR SICOMPACT MINI A (siemens)



Fijación lira
Tornillo inox DIN933 M10x25

	FUL-12	FUL-10	FUL-9	FUL-7\10	FUL-7\9
COLUMNAS columns	H=12 m	H=10 m	H=9 m	H=7 m	H=7 m
ø SUP	88 mm	77 mm	77 mm	77 mm	77 mm
ø INF	240 mm	200 mm	200 mm	165 mm	200 mm
PUERTAS REGISTRO inspection hatch	1	1	1	1	1
P	300 mm	300 mm	300 mm	300 mm	300 mm
M	150 mm	150 mm	150 mm	150 mm	150 mm
CIMENTACIÓN foundation					
(dim.aprox.) X	120 cm	100 cm	80 cm	80 cm	80 cm
ø	90 cm	80 cm	80 cm	80 cm	80 cm
PLACA BASE base plate					
pernos(4)/spikes	M-24x800	M-22x700	M-22x700	M-22x700	M-22x700
r	130 mm	130 mm	110 mm	110 mm	110 mm
cartelas/console	160mm(8)	150mm(4)	150mm(4)	150mm(4)	150mm(4)
ø placa B/plate B	500 mm	400 mm	400 mm	350 mm	400 mm
ø centros b/centers	350 mm	300 mm	300 mm	260 mm	300 mm
E	15 mm	12 mm	12 mm	12 mm	12 mm
PROYECTORES projectors	4	3 6 5	3	3	3
n° rótulas	4	3 6 5	3	3	3

